

## Straight Through – Metric External Thread



- Protection Rating: IP68; NEMA 4X
- Pressure Rating: 15Bar; 215psi
- High Pressure Cleaning IP69K
- Seal Rings Factory Installed on Nickel Plated Brass & Stainless Steel Cord Grips; order separately for Polyamide Cord Grips to maintain VDE Approval
- Optional 15mm (.59in.) Long External Thread available; Nickel Plated Brass & Stainless Steel Cord Grips; M12x1.5-M63x1.5
- Order Locknuts Separately See Page 292, 294

**blueglobe®**

### Material Specifications

*Body*

*Insert*

*Seal Ring*

### Temperature Range

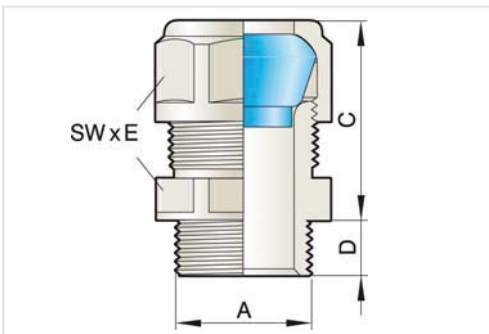
*Body*

*Insert*

*Seal Ring*

### Insert Color

Size	Overall Sealing Range min/max		Cable Dia. w/ Inlet min/max		Cable Dia. w/o Inlet min/max		Mtg. Hole Dia.	
	mm	(in.)	mm	(in.)	mm	(in.)	mm	(in.)
M12x1.5	2.0-7.5	(.08-.30)	2.0-5.0	(.08-.20)	5.0-7.5	(.20-.30)	12.0	(.47)
M16x1.5	4.0-11.0	(.16-.43)	4.0-7.0	(.16-.28)	7.0-11.0	(.28-.43)	16.0	(.63)
M20x1.5	5.0-14.0	(.20-.55)	5.0-9.0	(.20-.35)	9.0-14.0	(.35-.55)	20.0	(.79)
M25x1.5	11.0-20.0	(.43-.79)	11.0-16.0	(.43-.63)	16.0-20.0	(.63-.79)	25.0	(.98)
M32x1.5	15.0-25.0	(.59-.98)	15.0-20.0	(.59-.79)	20.0-25.0	(.79-.98)	32.0	(1.26)
M40x1.5	20.0-32.0	(.79-1.26)	20.0-26.0	(.79-1.02)	26.0-32.0	(1.02-1.26)	40.0	(1.57)
M50x1.5	31.0-42.0	(1.22-1.65)	31.0-35.0	(1.22-1.38)	35.0-42.0	(1.38-1.65)	50.0	(1.97)
M63x1.5	41.0-54.0	(1.61-2.13)	41.0-46.0	(1.61-1.81)	46.0-54.0	(1.81-2.13)	63.0	(2.48)
M75x1.5	54.0-65.0	(2.13-2.56)	54.0-58.0	(2.13-2.28)	58.0-65.0	(2.28-2.56)	75.0	(2.95)
M85x2	65.0-77.0	(2.56-3.03)	65.0-70.0	(2.56-2.76)	70.0-77.0	(2.76-3.03)	85.0	(3.35)



### Cord Grip Dimensions: mm (in.) Polyamide (PA)

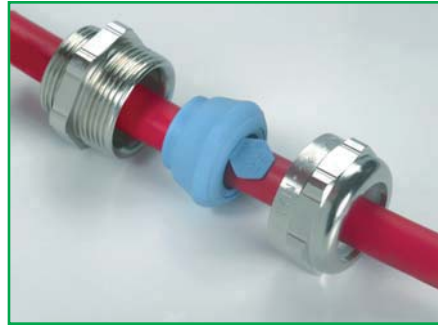
Size	A	D	C	SW	E
M12x1.5	12.0 (.47)	9.0 (.35)	24.0 (.94)	17.0 (.67)	18.9 (.74)
M16x1.5	16.0 (.63)	9.0 (.35)	27.0 (1.06)	20.0 (.79)	22.0 (.87)
M20x1.5	20.0 (.79)	9.0 (.35)	31.0 (1.22)	24.0 (.94)	26.7 (1.05)
M25x1.5	25.0 (.98)	9.0 (.35)	33.0 (1.30)	30.0 (1.18)	33.0 (1.30)
M32x1.5	32.0 (1.26)	11.0 (.43)	34.0 (1.34)	36.0 (1.42)	39.5 (1.56)
M40x1.5	40.0 (1.57)	12.0 (.47)	37.0 (1.46)	45.0 (1.77)	48.0 (1.89)
M50x1.5	50.0 (1.97)	15.0 (.59)	46.0 (1.81)	57.0 (2.24)	61.0 (2.40)
M63x1.5	63.0 (2.48)	15.0 (.59)	49.0 (1.93)	70.0 (2.7)	75.0 (2.95)

**Polyamide (PA)  
Light Gray or Black**



With Thermoplastic Elastomer (TPE)  
Spherical Sealing Insert

**Nickel Plated Brass (NPB)**



With Thermoplastic Elastomer (TPE)  
Spherical Sealing Insert

**Stainless Steel (SS)  
1.4305 (303)**



With Thermoplastic Elastomer (TPE)  
Spherical Sealing Insert

High Performance Cord Grips

Polyamide (PA)\*

Thermoplastic Elastomer (TPE)

–

-20 to 100°C (-4 to 212°F)

-40 to 130°C (-40 to 266°F)

–

Blue

Nickel Plated Brass (NPB)\*\*

Thermoplastic Elastomer (TPE)

Neoprene (NBR)

-40 to 300°C (-40 to 572°F)

-40 to 130°C (-40 to 266°F)

-20 to 100°C (-4 to 212°F)

Blue

Stainless Steel (SS)\*\*

Thermoplastic Elastomer (TPE)

Silicone (SIL)

-60 to 500°C (-65 to 932°F)

-40 to 130°C (-40 to 266°F)

-60 to 200°C (-65 to 392°F)

Blue

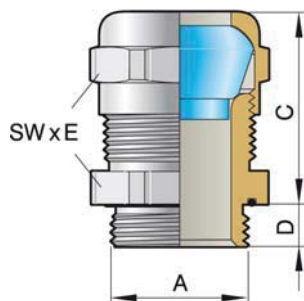
Cat. No.		Std. Pk.
L. Gray	Black	
96570.0	96570.1	50
96571.0	96571.1	50
96572.0	96572.1	50
96573.0	96573.1	50
96574.0	96574.1	25
96575.0	96575.1	5
96576.0	96576.1	10
96577.0	96577.1	5
–	–	–
–	–	–

Cat. No.	Std. Pk.
96570.6	50
96571.6	50
96572.6	50
96573.6	50
96574.6	25
96575.6	10
96576.6	5
96577.6	5
96578.6	5
96579.6	1

Cat. No.	Std. Pk.
96570.7	50
96571.7	50
96572.7	50
96573.7	50
96574.7	25
96575.7	10
96576.7	5
96577.7	5
96578.7	5
96579.7	1

\*Polyamide *blueglobe*® VDE Approval only with installed O-Ring; Order Separately

\*\*For Nickel Plated Brass & Stainless Steel Cord Grips with 15mm (.59in.) long External Thread add /15 to the Catalog Number. Example: 96570.6/15



**Cord Grip Dimensions: mm (in.) Nickel Plated Brass and Stainless Steel**

Size	A	D	C	SW	E
M12x1.5	12.0 (.47)	5.0 (.20)	21.0 (.83)	17.0 (.67)	18.9 (.74)
M16x1.5	16.0 (.63)	6.0 (.24)	25.0 (.98)	20.0 (.79)	22.2 (.87)
M20x1.5	20.0 (.79)	6.5 (.26)	29.0 (1.14)	24.0 (.94)	26.5 (1.04)
M25x1.5	25.0 (.98)	7.5 (.30)	29.0 (1.14)	30.0 (1.18)	33.0 (1.30)
M32x1.5	32.0 (1.26)	8.0 (.31)	32.0 (1.26)	36.0 (1.42)	39.5 (1.56)
M40x1.5	40.0 (1.57)	8.0 (.31)	35.0 (1.38)	45.0 (1.77)	48.0 (1.89)
M50x1.5	50.0 (1.97)	10.0 (.39)	35.0 (1.38)	57.0 (2.24)	61.0 (2.40)
M63x1.5	63.0 (2.48)	10.0 (.39)	38.0 (1.50)	68.0 (2.68)	72.0 (2.83)
M75x1.5	75.0 (2.95)	15.0 (.59)	48.0 (1.89)	81.0 (3.19)	87.0 (3.43)
M85x2	85.0 (3.35)	15.0 (.59)	49.0 (1.93)	95.0 (3.74)	102.0 (4.02)